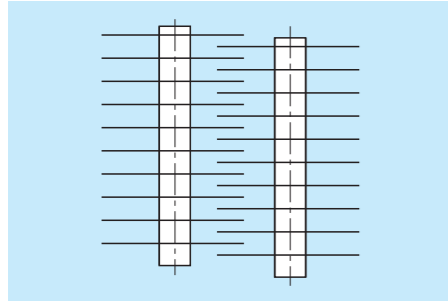
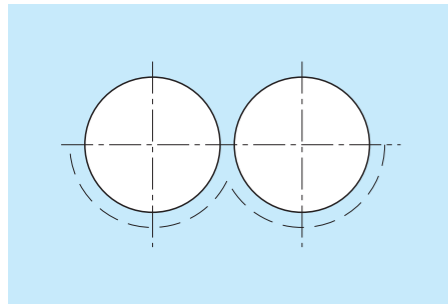


Various Crushers

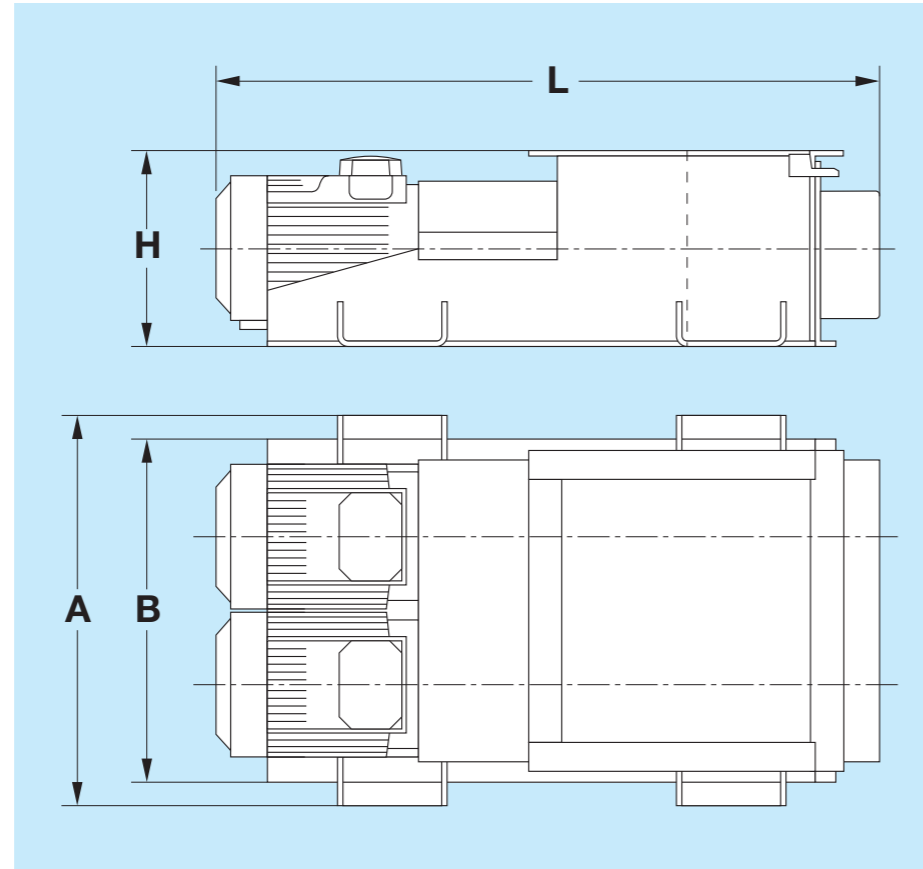


Two-shaft crusher: standard crusher for expanded compound feed before pelleting



Structuring device: special crusher for components with high starch contents and structured expanded products without pelleting (crumbles)

Two-shaft Crusher



Dimensions [mm]	OE 23/30	OE 38/45
<b>L</b> Length	1395	1750
<b>H</b> Height	350	500
<b>A</b> Width (overall)	702	1036
<b>B</b> Width (housing)	610	950
Motor [kW]	2 x 5,5/7,5	2 x 11-15
Weight [kg]	430	860

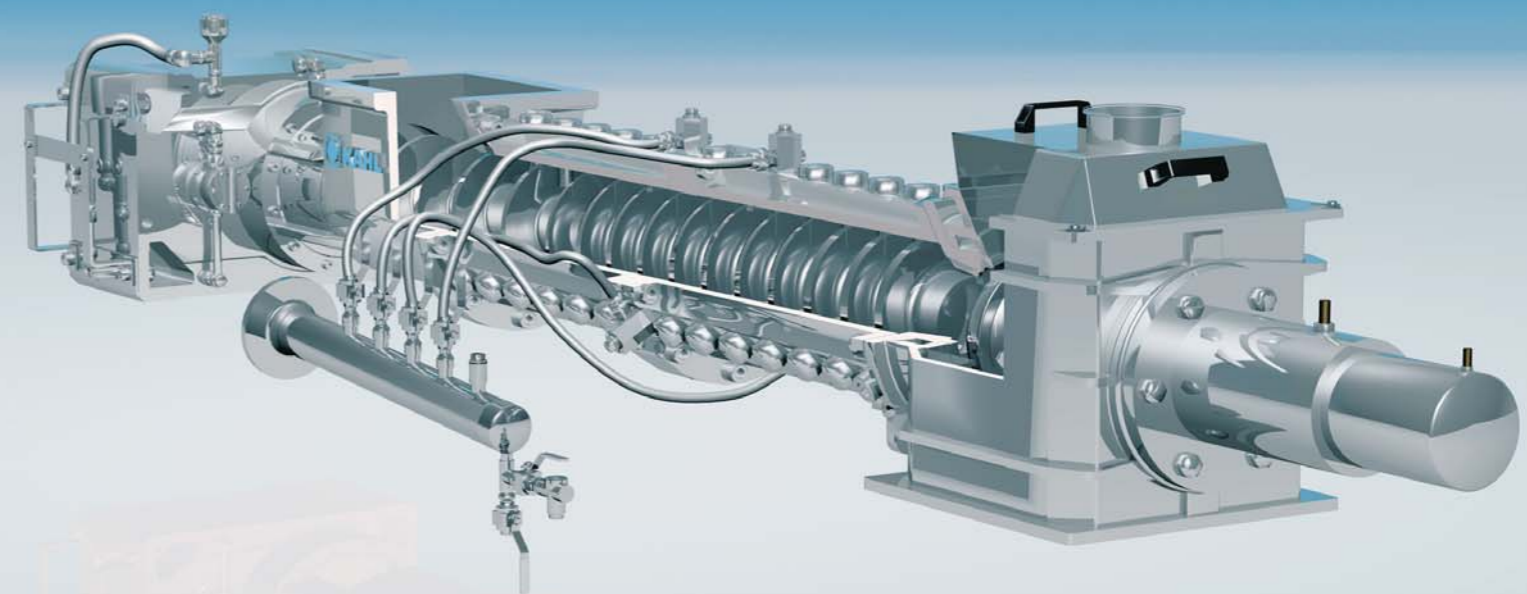
**AMANDUS KAHL GmbH & Co. KG**

Dieselstrasse 5-9  
D-21465 Reinbek / Hamburg  
Phone: +49 (0)40 727 71 - 0  
Fax: +49 (0)40 727 71 - 100

info@amandus-kahl-group.de  
[www.akahl.de](http://www.akahl.de)

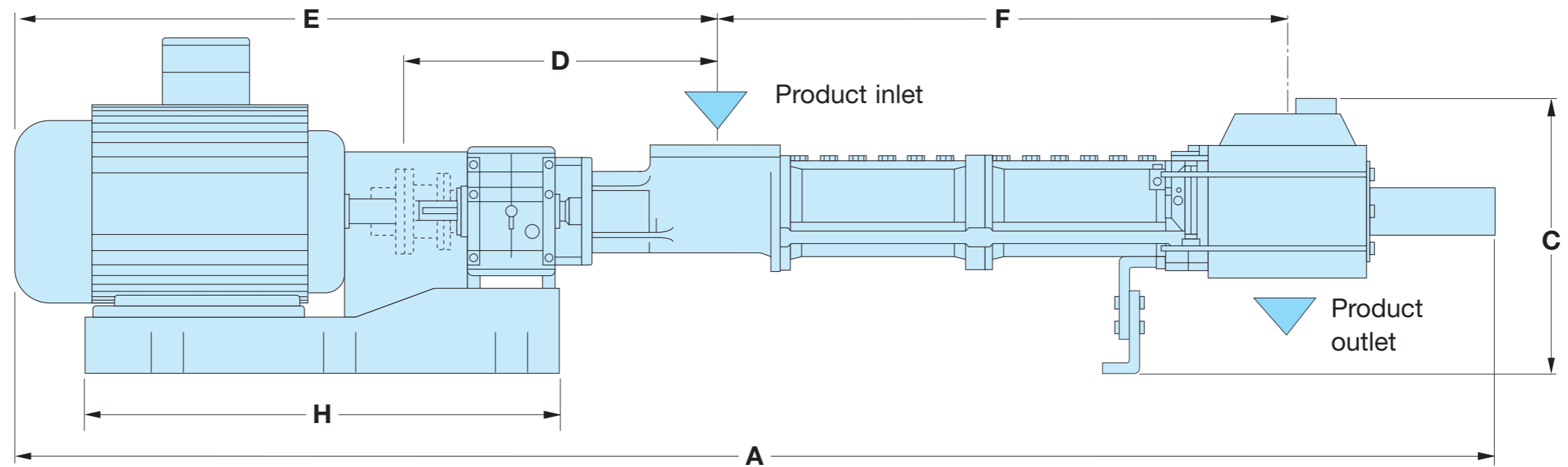
Annular Gap Expander

Variants of Equipment



# Annular Gap Expander

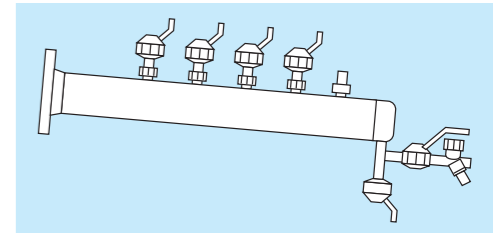
## Variants



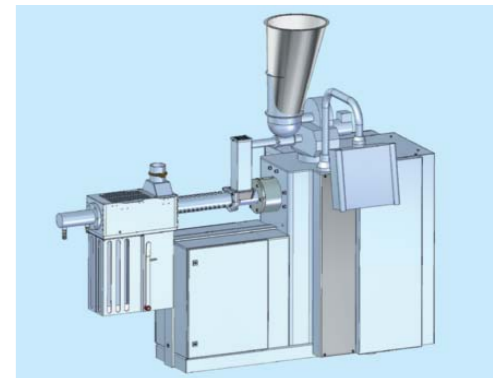
Standard version	OE 15.2 [mm]	OE 23.2 [mm]	OE 30.1 [mm]	OE 30.2 [mm]	OE 38.2 [mm]	OE 45.3 [mm]
<b>A</b> Total length*	5785	5550	5060	5830	6445	9035
<b>B</b> Width	770	1020	1020	1020	1370	1450
<b>C</b> Height	785	1005	1005	1005	1190	1480
<b>D</b> Coupling – centre inlet	1816	1247	1267	1267	1502	2925
<b>E</b> Inlet-motor*	2904	2530	2750	2750	3185	5160
<b>F</b> Inlet-outlet (centre)	1930	2100	1387	2157	2310	2670
<b>H</b> Frame	1400	1822	1822	1822	2160	4300
Motor [kW]	75 (90**)	160 (200**)	250	250 (315**)	315 (450**)	500/630
Weight [kg]*	2600	4400	4550	5050	8000	13300

\* Depends on motor size \*\* Special execution

## Options

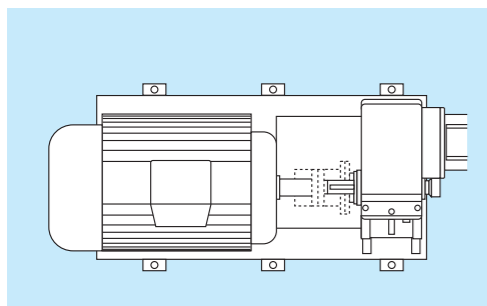


Steam distributor with steam nozzles, hoses, and regulation system

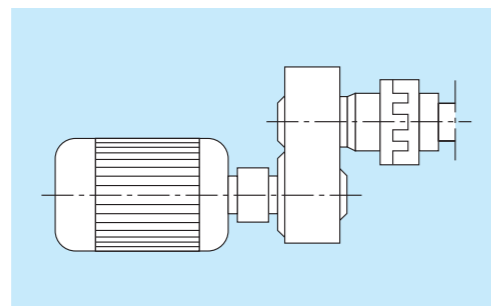


Laboratory expander OE 8

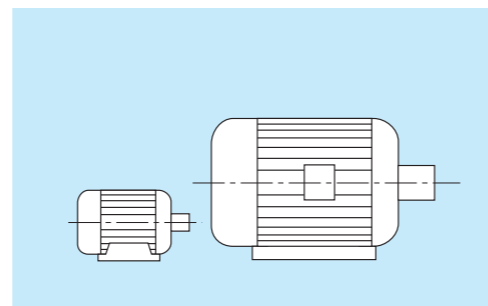
## Possible Drives



Gear with integrated bearing (OE 23/30/38)

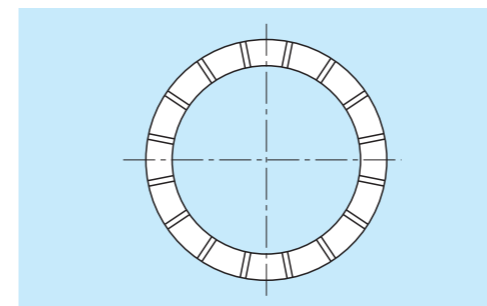


Gear and coupling (OE 15 + OE 45)

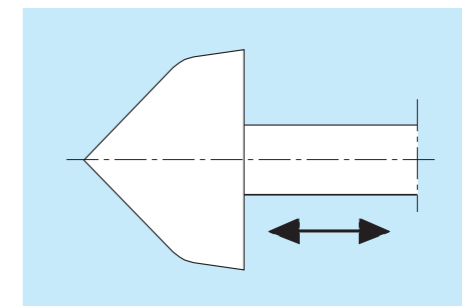


Motors 55 – 630 kW

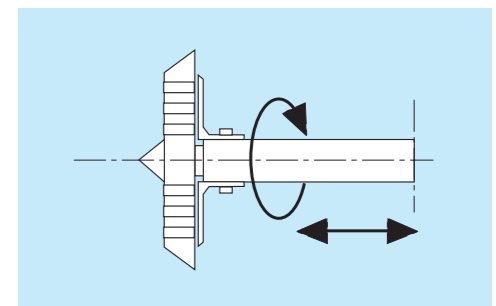
## Standard Outlet



Product separator, standard equipment



Final cone



Die and cutting device