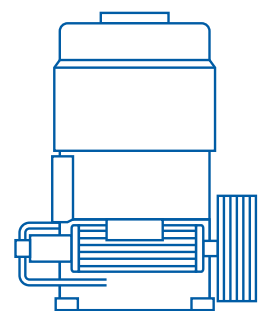




**FLAT DIE
PELLETING
PRESSES**

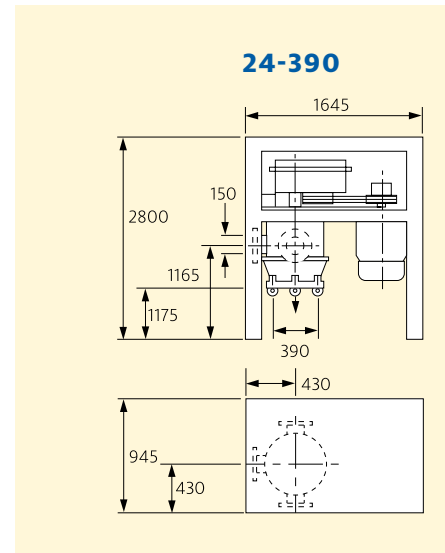
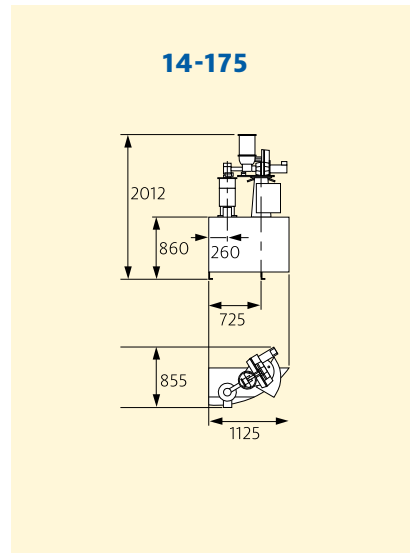


TYPE SURVEY

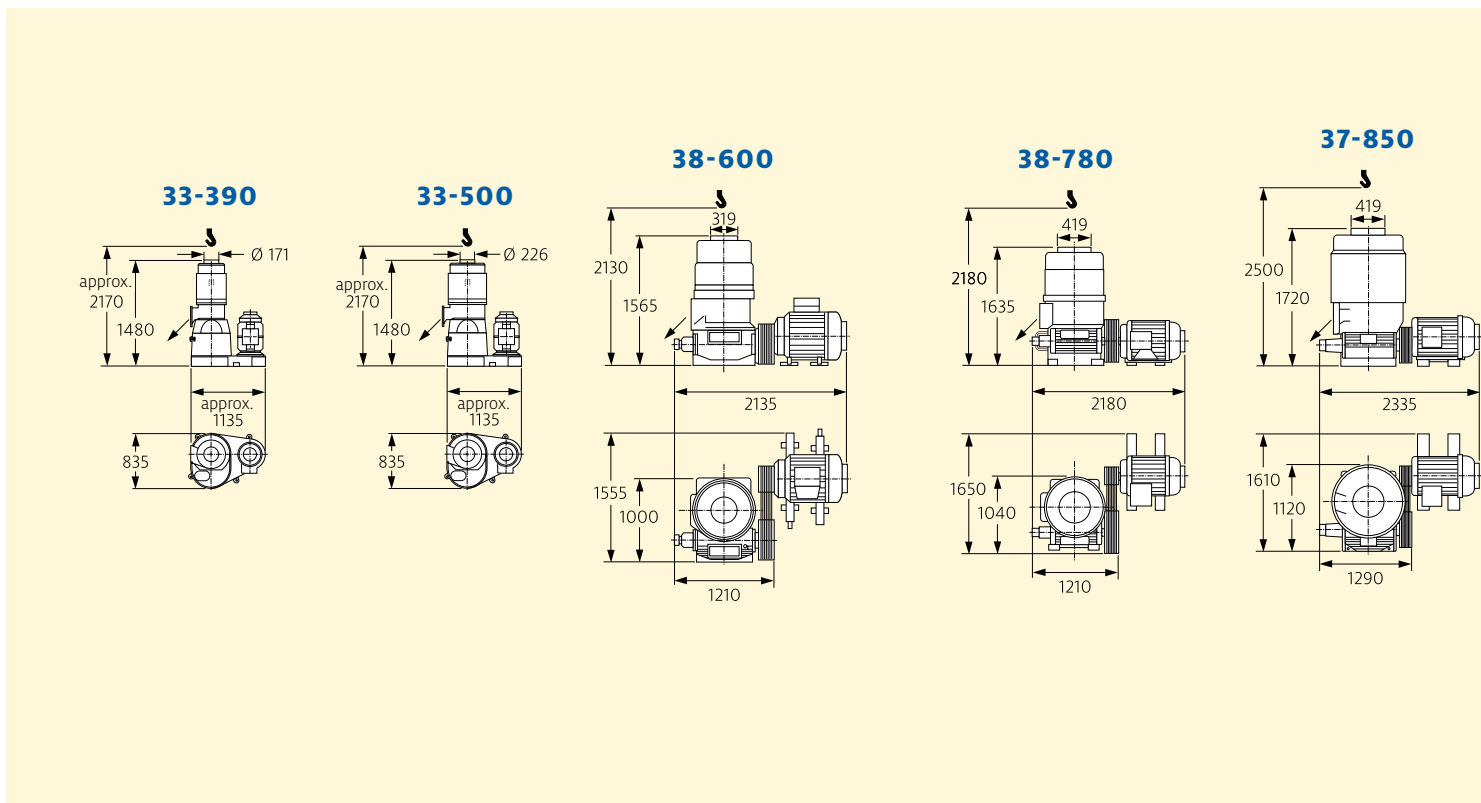
PRESSES FOR THE PRODUCTION OF SMALL QUANTITIES

PRESSES FOR PROCESSING

TYPE	14-175
Die diameter mm	175
Roller diameter/width mm	130/29
No. of rollers	2
Drive motor kW/min ⁻¹	3
Roller speed m/s	0,5–0,8
Perforated surface of the die cm ²	106
Machine weight kg with motor	260



PRESSES FOR THE PRODUCTION OF MEDIUM AND LARGE QUANTITIES

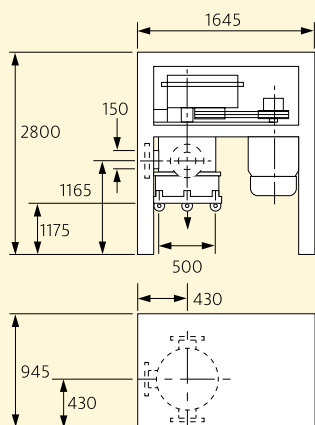


TYPE	33-390	33-500	38-600	38-780
Die diameter mm	390	500	600	780
Roller diameter/width mm	230/77	230/77	280/102	280/102 or 350/102
No. of rollers	2	3	3–4	3–5 or 3–4
Drive motor kW/min ⁻¹	15-30/1500*	15-30/1500*	55-75/1500*	90-110/1500*
Roller speed m/s	2,2	2,4	2,6	2,6
Perforated surface of the die cm ²	617	840	1382	1916
Machine weight kg with motor	1150	1300	2250	3000

The indicated dimensions refer to the respective largest available drive motor.

For information about installation options and dimensions of the feeding devices, please see page 4

25-500



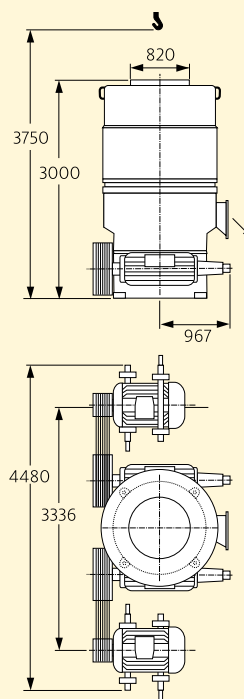
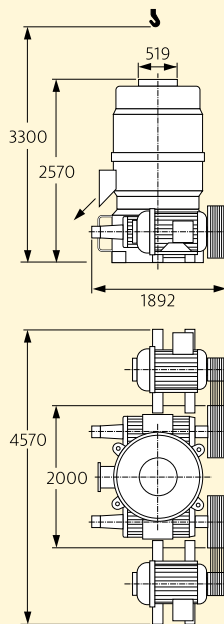
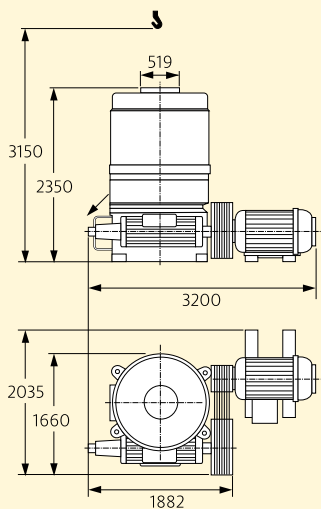
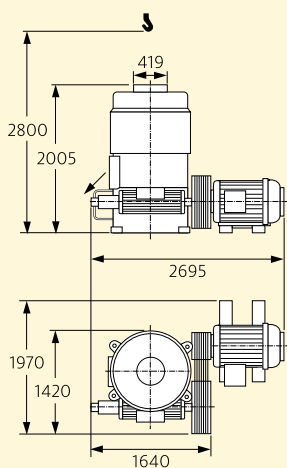
TYPE	24-390	25-500
Die diameter mm	390	500
Roller diameter/width mm	230/77	230/77
No. of rollers	2	3
Drive motor kW/min ⁻¹	30	30
Roller speed m/s	1,65	1,72
Perforated surface of the die cm ²	617	840
Machine weight kg with motor	1800	1950

39-1000

45-1250

60-1250

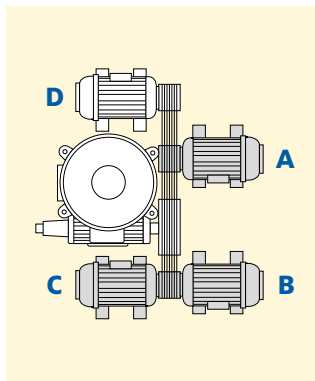
60-1500



37-850	39-1000	45-1250	60-1250	60-1500
850	1000	1250	1250	1500
350/132	350/156 or 450/156	450/192 or 450/156	450/192	450/242
3-5	3-5 or 3-4	4-5	4-5	4-5
132/1500*	160-200/1500*	200-315/1500*	2 × 160-200/1500*	2 × 200-250/1500*
2,5	2,6	2,7	2,6	2,67
2695	3850	5900	5900	8769
4600	5400	8000	9600	12800

* other speeds are possible

ADDITIONAL TECHNICAL DATA



The motors with V-belt drives can be installed at different positions.

FEEDING DEVICES

Proportioning screw D

SIZE	160	250	315
A mm	1050	1800	1800
B mm	412	502	597

Proportioning and mixing screw DM

SIZE	160	315	400	500
A mm	1050	1800	1800	1800
B mm	412	597	702	707

Combination of proportioning and mixing screw KDM

SIZE	160 / 315	250 / 315	250 / 400
A mm	1800	1800	1800
B mm	902	1026	1131
C mm	780	780	780

